

CRATE

BX-10

BASS AMPLIFIER



OWNER'S MANUAL



Congratulations!

You are now the proud owner of the compact Crate BX-10 Bass Amplifier. The BX-10 features three bands of equalization, an external speaker jack and a jack for headphones.

In order to get the most out of your new amplifier, we strongly urge you to go over the information contained in this manual before you begin playing.

And *thank you* for choosing **CRATE**[®]

CRATE[®] BX-10 Bass Amplifier

	CAUTION RISK OF ELECTRIC SHOCK DO NOT OPEN	
<p>WARNING: TO REDUCE THE RISK OF FIRE OR ELECTRIC SHOCK, DO NOT EXPOSE THIS APPARATUS TO RAIN OR MOISTURE. TO REDUCE THE RISK OF ELECTRIC SHOCK, DO NOT REMOVE COVER. NO USER-SERVICEABLE PARTS INSIDE. REFER SERVICING TO QUALIFIED SERVICE PERSONNEL.</p>		

	PRECAUCION RIESGO DE CORRIENTAZO NO ABRA	
<p>PRECAUCION: PARA REDUCIR EL RIESGO DE INCENDIOS O DESCARGAS ELECTRICAS, NO PERMITA QUE ESTE APARATO QUEDE EXPUESTO A LA LLUVIA O LA HUMEDAD. PARA DISMINUIR EL RIESGO DE CORRIENTAZO, NO ABRA LA CUBIERTA. NO HAY PIEZAS ADETRON QUE EL USUARIO PUEDA REPARAR DE JE TODO MANTENIMIENTO A LOS TECNICOS CALIFICADOS.</p>		

	ATTENTION RISQUE D'ELECTROCUTION NE PAS OUVRIR	
<p>ATTENTION: PROTEGEZ CET APPAREIL DE LA PLUIE ET DE L'HUMIDITE AFIN D'EVITER TOUT RISQUE D'INCENDIE OU D'ELECTROCUTION. POUR REDUIRE D'ELECTROCUTION NE PAS ENLEVER LE COUVERCLE. AUCUNE PIECE INTERNE N'EST REPARABLE PAR L'UTILISATEUR. POUR TOUTE REPARATION, S'ADRESSER A UN TECHNICIEN QUALIFIE.</p>		

IMPORTANT SAFETY INSTRUCTIONS

- READ, FOLLOW, HEED, AND KEEP ALL INSTRUCTIONS AND WARNINGS.
- DO NOT OPERATE NEAR ANY HEAT SOURCE AND DO NOT BLOCK ANY VENTILATION OPENINGS ON THIS APPARATUS.
- DO NOT USE THIS APPARATUS NEAR SPLASHING, FALLING, SPRAYING, OR STANDING LIQUIDS.
- CLEAN ONLY WITH LINT-FREE DAMP CLOTH AND DO NOT USE CLEANING AGENTS.
- ONLY CONNECT POWER CORD TO A POLARIZED, SAFETY GROUNDED OUTLET WIRED TO CURRENT ELECTRICAL CODES AND COMPATIBLE WITH VOLTAGE, POWER, AND FREQUENCY REQUIREMENTS STATED ON THE REAR PANEL OF THE APPARATUS.
- PROTECT THE POWER CORD FROM DAMAGE DUE TO BEING WALKED ON, PINCHED, OR STRAINED.
- UNPLUG THE APPARATUS DURING LIGHTNING STORMS OR WHEN UNUSED FOR LONG PERIODS OF TIME.
- ONLY USE ATTACHMENTS, ACCESSORIES, STANDS, OR BRACKETS SPECIFIED BY THE MANUFACTURER FOR SAFE OPERATION AND TO AVOID INJURY.
- THIS APPARATUS DOES NOT OPERATE NORMALLY AND REQUIRES SERVICE WITH ANY PHYSICAL DAMAGE FROM IMPACT OR ANY EXPOSURE TO MOISTURE.
- SERVICE MUST BE PERFORMED BY QUALIFIED PERSONNEL.
- OUR AMPLIFIERS ARE CAPABLE OF PRODUCING HIGH SOUND PRESSURE LEVELS. CONTINUED EXPOSURE TO HIGH SOUND PRESSURE LEVELS CAN CAUSE PERMANENT HEARING IMPAIRMENT OR LOSS. USER CAUTION IS ADVISED AND EAR PROTECTION IS RECOMMENDED IF UNIT IS OPERATED AT HIGH VOLUME.

EXPLANATION OF GRAPHICAL SYMBOLS:

EXPLICACION DE SIMBOLOS GRAFICOS:

EXPLICATION DES SYMBOLES GRAPHIQUES:



=

"DANGEROUS VOLTAGE"

"VOLTAJE PELIGROSO"

"DANGER HAUTE TENSION"



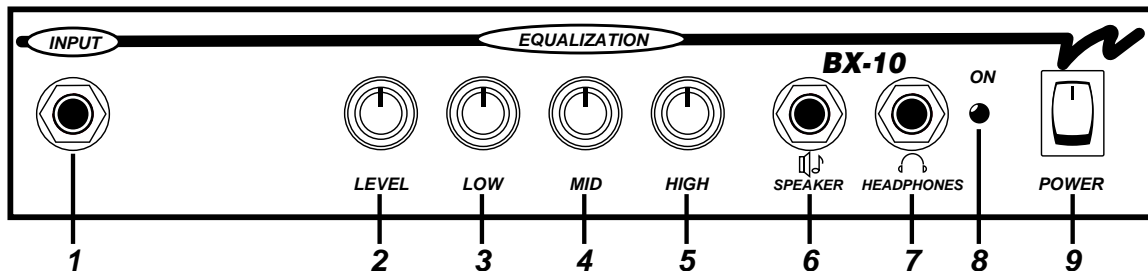
=

"IT IS NECESSARY FOR THE USER TO REFER TO THE INSTRUCTION MANUAL"

"ES NECESARIO QUE EL USUARIO SE REFIERA AL MANUAL DE INSTRUCCIONES."

"REFERREZ-VOUS AU MANUAL D'UTILISATION"

CRATE[®] BX-10 Bass Amplifier



1: INPUT: Connect your bass here by means of a shielded instrument cable.

2: LEVEL: Use this control to adjust the overall output level of the amp.

3: LOW: Use this control to adjust the low frequency output level. Rotating the control counter clockwise reduces the low frequency output, rotating the control clockwise increases it.

4: MID: Use this control to adjust the midrange frequency output level. Rotating the control counter clockwise reduces the midrange frequency output, rotating the control clockwise increases it.

5: HIGH: Use this control to adjust the high frequency output level. Rotating the control counter clockwise reduces the high frequency output, rotating the control clockwise increases it.

6: SPEAKER: Use this jack to connect the amplifier to an external speaker cabinet. The internal speaker is disconnected when this jack is used.



WARNING: DO NOT CONNECT HEADPHONES TO THE SPEAKER JACK. HEARING DAMAGE MAY RESULT.

7: HEADPHONES: Use this jack to connect a pair of stereo headphones for private listening. The internal speaker is disconnected when this jack is used.

8: ON LED: This LED illuminates when the amplifier is on.

9: POWER SWITCH: Use this switch to turn the amplifier on (top of the switch depressed) and off (bottom of the switch depressed).

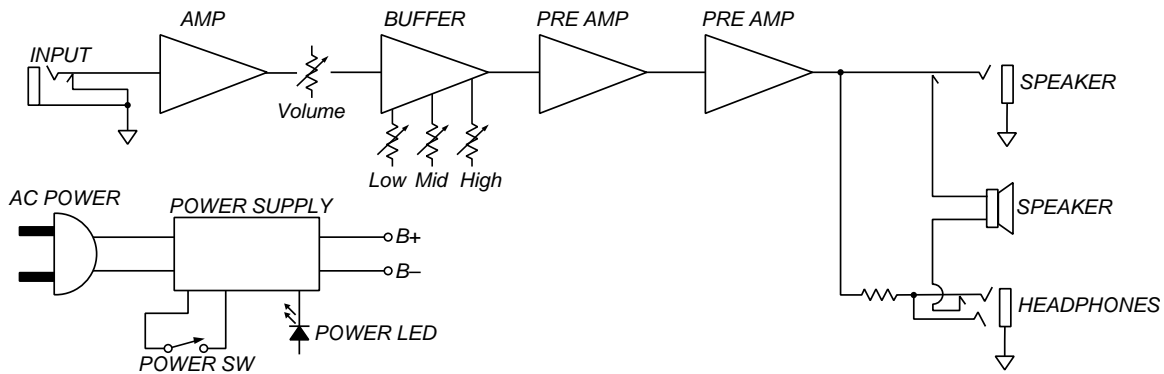
10: AC LINE IN: (Rear panel, not shown) The grounded power cord should only be plugged into a grounded outlet that meets all applicable electrical codes and is compatible with the voltage, power, and frequency requirements stated on the rear label. **DO NOT attempt to defeat the safety ground connection.**

CRATE[®] BX-10 Bass Amplifier

BX-10 TECHNICAL SPECIFICATIONS

Output Power Rating	10 watts @ 1% THD 14 watts @ 10% THD
Speaker Size	8"
Input Impedance	500k ohms
Minimum Noise	1mV
Maximum Noise	10mV
Distortion	0.9%
Input Power Requirements	120 VAC, 60Hz, 20VA 100/115VAC, 50/60Hz, 20VA 230VAC, 50/60Hz, 20VA
Cabinet Size and Weight	16" H x 12-1/2" W x 6-1/2" D, 12.5 lbs.

Block Diagram:



The BX-10 is covered with a black Tolex material: wipe it clean with a lint-free cloth. Never spray cleaning agents onto the cabinet. Avoid abrasive cleansers which could damage the finish.

Crate continually develops new products, as well as improves existing ones. For this reason, the specifications and information in this Crate manual are subject to change without notice.

CRATE[®]
www.crateamps.com

