

CRATE

BT15 BASS AMPLIFIER



USER'S GUIDE

CRATE **BT15** Bass Amplifier

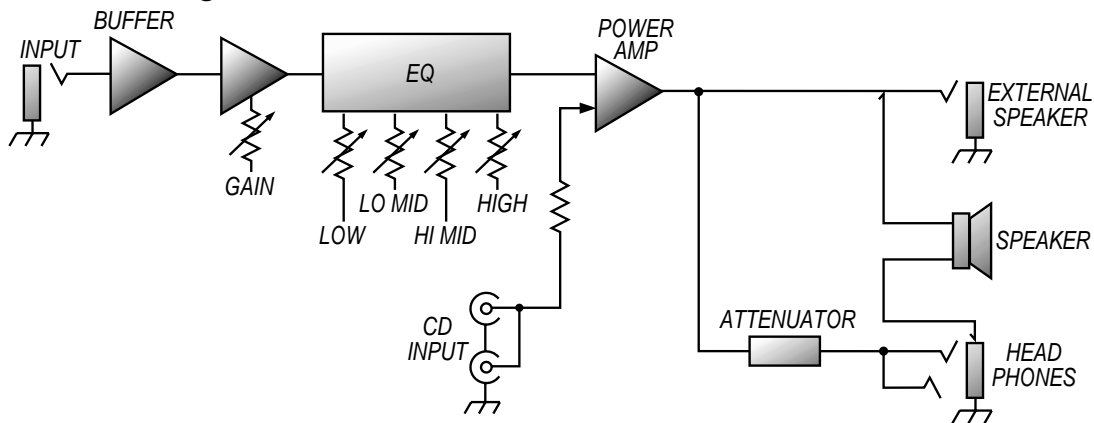
Congratulations!

You are now the proud owner of the compact Crate BT15 Bass Amplifier. The BT15 features four bands of equalization, an external speaker jack and a jack for headphones.

In order to get the most out of your new amplifier, we strongly urge you to go over the information contained in this manual before you begin playing.

And **thank you** for choosing Crate.

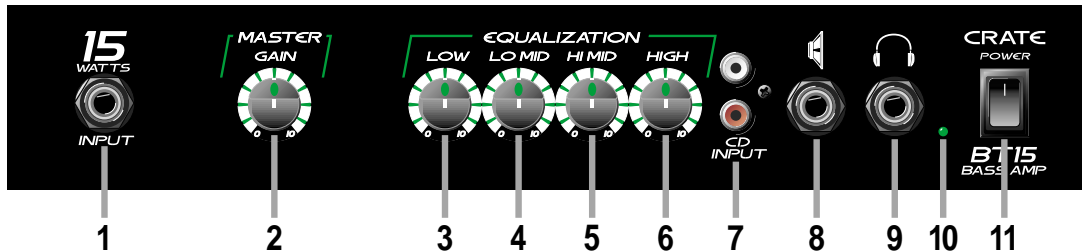
BT15 Block Diagram:



CAUTION RISK OF ELECTRIC SHOCK DO NOT OPEN	PRECAUCION RIESGO DE CORRIENTAZO NO ABRA	ATTENTION RISQUE D'ELECTROCUTION NE PAS OUVRIR
WARNING: TO REDUCE THE RISK OF FIRE OR ELECTRIC SHOCK, DO NOT EXPOSE THIS APPARATUS TO RAIN OR MOISTURE. TO REDUCE THE RISK OF ELECTRIC SHOCK, DO NOT REMOVE COVER. NO USER-SERVICEABLE PARTS INSIDE. REFER SERVICING TO QUALIFIED SERVICE PERSONNEL.	PRECAUCION: PARA REDUCIR EL RIESGO DE INCENDIOS O DESCARGAS ELECTRICAS, NO PERMITA QUE ESTE APARATO QUEDE EXPUESTO A LA LLUVIA O LA HUMEDAD. PARA DISMINUIR EL RIESGO DE CORRIENTAZO, NO ABRA LA CUBIERTA. NO HAY PIEZAS ADENTRO QUE EL USUARIO PUEDA REPARAR DEJE TODO MANTENIMIENTO A LOS TECNICOS CALIFICADOS.	ATTENTION: PROTEGEZ CET APPAREIL DE LA PLUIE ET DE L'HUMIDITE AFIN D'EVITER TOUT RISQUE D'INCENDIE OU D'ELECTROCUTION. POUR REDUIRE D'ELECTROCUTION NE PAS ENLEVER LE COUVERCLE. AUCUNE PIECE INTERNE N'EST REPARABLE PAR L'UTILISATEUR. POUR TOUTE REPARATION, S'ADRESSER A UN TECHNICIEN QUALIFIE.
IMPORTANT SAFETY INSTRUCTIONS		
<ul style="list-style-type: none"> • READ, FOLLOW, HEED, AND KEEP ALL INSTRUCTIONS AND WARNINGS. • DO NOT OPERATE NEAR ANY HEAT SOURCE AND DO NOT BLOCK ANY VENTILATION OPENINGS ON THIS APPARATUS. FOR PROPER OPERATION, THIS UNIT REQUIRES 3" (75mm) OF WELL VENTILATED SPACE AROUND HEATSINKS AND OTHER AIR FLOW PROVISIONS IN THE CABINET. • DO NOT USE THIS APPARATUS NEAR SPLASHING, FALLING, SPRAYING, OR STANDING LIQUIDS. • CLEAN ONLY WITH LINT-FREE DAMP CLOTH AND DO NOT USE CLEANING AGENTS. • ONLY CONNECT POWER CORD TO A POLARIZED, SAFETY GROUNDED OUTLET WIRED TO CURRENT ELECTRICAL CODES AND COMPATIBLE WITH VOLTAGE, POWER, AND FREQUENCY REQUIREMENTS STATED ON THE REAR PANEL OF THE APPARATUS. • PROTECT THE POWER CORD FROM DAMAGE DUE TO BEING WALKED ON, PINCHED, OR STRAINED. • UNPLUG THE APPARATUS DURING LIGHTNING STORMS OR WHEN UNUSED FOR LONG PERIODS OF TIME. • ONLY USE ATTACHMENTS, ACCESSORIES, STANDS, OR BRACKETS SPECIFIED BY THE MANUFACTURER FOR SAFE OPERATION AND TO AVOID INJURY. • WARNING: TO REDUCE THE RISK OF ELECTRIC SHOCK OR FIRE, DO NOT EXPOSE THIS UNIT TO RAIN OR MOISTURE.. • SERVICE MUST BE PERFORMED BY QUALIFIED PERSONNEL. • OUR AMPLIFIERS ARE CAPABLE OF PRODUCING HIGH SOUND PRESSURE LEVELS. CONTINUED EXPOSURE TO HIGH SOUND PRESSURE LEVELS CAN CAUSE PERMANENT HEARING IMPAIRMENT OR LOSS. USER CAUTION IS ADVISED AND EAR PROTECTION IS RECOMMENDED IF UNIT IS OPERATED AT HIGH VOLUME. 		
EXPLANATION OF GRAPHICAL SYMBOLS: EXPLICACION DE SIMBOLOS GRAFICOS: EXPLICATION DES SYMBOLES GRAPHIQUES:	= "DANGEROUS VOLTAGE" "VOLTAJE PELIGROSO" "DANGER HAUTE TENSION"	= "IT IS NECESSARY FOR THE USER TO REFER TO THE INSTRUCTION MANUAL" "ES NECESARIO QUE EL USUARIO SE REFIERA AL MANUAL DE INSTRUCCIONES." "REFERREZ-VOUS AU MANUAL D'UTILISATION"

CRATE **BT15** Bass Amplifier

The Front Panel:



- 1. INPUT:** Connect your bass here by means of a shielded instrument cable.
- 2. GAIN:** Use this control to adjust the overall output level of the amp.
- 3. LOW:** Use this control to adjust the low frequency output level. Rotating the control counter clockwise reduces the low frequency output, rotating the control clockwise increases it.
- 4. LO MID:** Use this control to adjust the lower midrange frequency output level. Rotating the control counter clockwise reduces the lower midrange frequency output, rotating the control clockwise increases it.
- 5. HI MID:** Use this control to adjust the upper midrange frequency output level. Rotating the control counter clockwise reduces the upper midrange frequency output, rotating the control clockwise increases it.
- 6. HIGH:** Use this control to adjust the high frequency output level. Rotating the control counter clockwise reduces the high frequency output, rotating the control clockwise increases it.
- 7. CD INPUT:** Use these RCA jacks to connect the output from a CD player or tape deck to the amplifier. The signal at these jacks is combined into a mono signal which is sent to the internal power amp circuit. Use the CD or tape player's output level control to adjust the signal for the proper mix with your bass.
- 8. EXTERNAL SPEAKER:** Use this jack to connect the amplifier to an external speaker cabinet. The internal speaker is disconnected when this jack is used.



WARNING: DO NOT CONNECT HEADPHONES TO THE SPEAKER JACK. HEARING DAMAGE MAY RESULT.

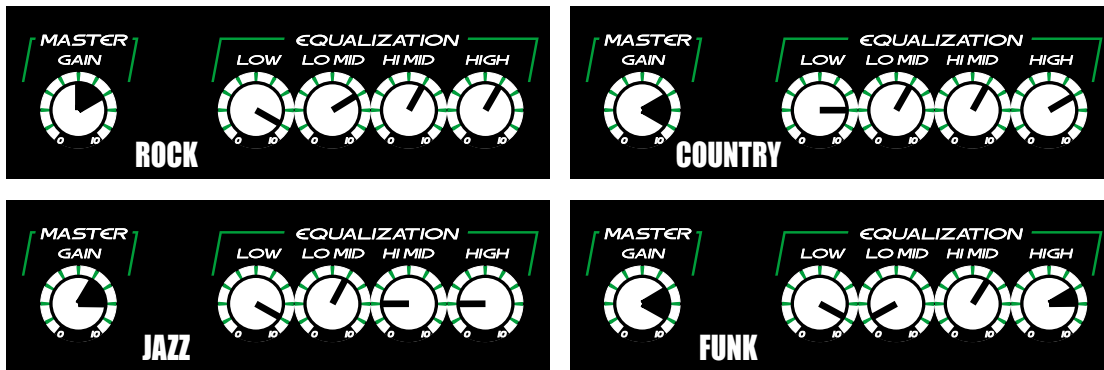
- 9. HEADPHONES:** Use this jack to connect a pair of stereo headphones for private listening. The internal speaker is disconnected when this jack is used.
- 10. ON LED:** This LED illuminates when the amplifier is on.
- 11. POWER SWITCH:** Use this switch to turn the amplifier on (top of the switch depressed) and off (bottom of the switch depressed).
- 12. AC LINE IN: (Rear panel, not shown)** The grounded power cord should only be plugged into a grounded outlet that meets all applicable electrical codes and is compatible with the voltage, power, and frequency requirements stated on the rear label. **DO NOT attempt to defeat the safety ground connection.**

CRATE **BT15** Bass Amplifier

BT15 Technical Specifications:

Output Power Rating	12 watts RMS @ 5% THD, 4 ohms, 120 VAC
Maximum Input Signal Level Accepted	15 volts peak-to-peak
Input Impedance	25k ohms
Signal to Noise Ratio	72dB
Low Control	15dB range @ 50Hz
Lo Mid Control	12dB range @ 250Hz
Hi Mid Control	13dB range @ 1kHz
High Control	24dB range @ 10kHz
Input Power Requirements	120 VAC, 60Hz, 30VA 100/115VAC, 50/60Hz, 30VA 230VAC, 50/60Hz, 30VA
Speaker Size and Rating	Crate Custom Design 8", 15 watts
Cabinet Size and Weight	14-1/2" H x 15" W x 9-1/2" D, 21 lbs

BT15 Suggested Settings:



Declaration Of Conformity

#27, Effective 01-01-2001

Manufacturer's Name: SLM Electronics
Production Facility: 1901 Congressional Drive, St. Louis, MO 63146, USA
Production Facility: 700 Hwy 202 W, Yellville, AR 72687, USA
Shipping Facility: 1400 Ferguson Ave., St. Louis, MO 63133, USA
Office Facility: 1400 Ferguson Ave., St. Louis, MO 63133, USA

Product Type: Audio Amplifier

Complies with the following Standards:

Safety: EN60065, E60065, C22.2, UL6500 and/or UL813
EMC: Directive 89/336/EEC, EN55103, EN55013, EN61000, and/or FCC 47CFR 15B c/a

Supplementary information provided by:
 SLM Electronics - R & D Engineering
 1901 Congressional Drive, St Louis, MO 63146, USA
 Tel.: 314-569-0141, Fax: 314-569-0175

Specifications subject to change without notice

CRATE

www.crateamps.com

©2003 ST. LOUIS MUSIC, 1400 FERGUSON, ST. LOUIS, MO. 63133
 47-381-01 • 012704

